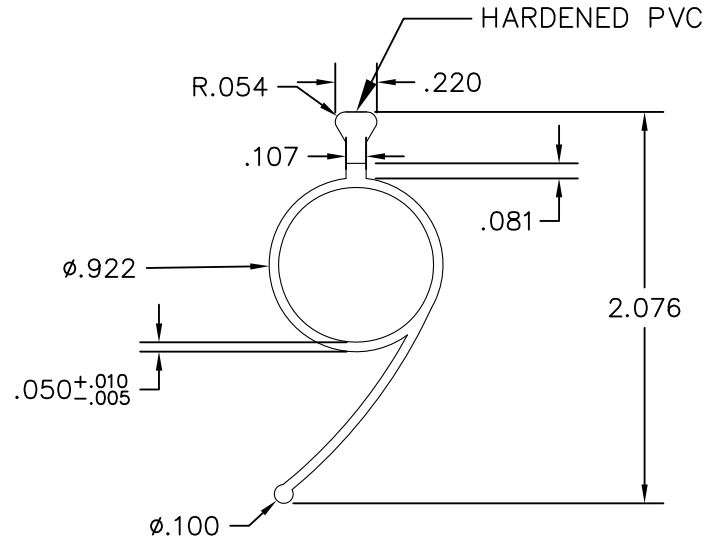


DRAWING NO.
502305



NOTES:

- MATERIAL: SEAL MATERIAL: TEKNOR APEX 70-9138-L, COLOR-BLACK
 BULB MATERIAL: HARDENED PVC, COLOR-GREEN
 78 DUROMETER +/- 3 (SEAL)

THIS DRAWING AND ALL PARTS THEREOF ARE THE EXCLUSIVE PROPERTY OF TRAC RITE DOOR, INC. AND MAY NOT BE REPRODUCED IN WHOLE OR PART WITHOUT WRITTEN PERMISSION.

TOLERANCE (UNLESS OTHERWISE SPECIFIED)
 LINEAR: $\pm .010''$
 ANGULAR: $\pm 2'$

DATE 04-28-08

BY JSB APP'D JSB

SCALE 1 : 1 SIZE A



216 Wilburn Road, Sun Prairie, WI 53590
 Phone: 800-448-8979 Fax: 800-236-8722
www.tracrite.com

DESCRIPTION
 REPLACEMENT SEAL

DRAWING NO. 502305 REV. -- SHEET 1 OF 1

REV.	ECN	DESCRIPTION	BY	DATE